



**Electrolux**  
PROFESSIONAL

## Eco Preparation 1200 mm Sink with 1 Bowl - Left Drain

ITEM # \_\_\_\_\_

MODEL # \_\_\_\_\_

NAME # \_\_\_\_\_

SIS # \_\_\_\_\_

AIA # \_\_\_\_\_



132898 (SL12SN)

Sink Unit with 1 bowl left  
hand drainer 500x500,  
1200mm

### Short Form Specification

Item No. \_\_\_\_\_

Worktop in 304 AISI stainless steel with front edge h=50mm. Rear upstand h=100mm. N.1 bowl 500x500mm. Front and side covering panels in stainless steel. Rear panel in stainless steel. Square section legs 40x40mm in stainless steel with adjustable feet.

### Main Features

- Sturdiness, stability and reliability of table accurately tested.

### Construction

- Constructed entirely in stainless steel to offer maximum durability.
- Delivered in knock-down package.
- Wide range of taps are available to suit every need.
- Drainage area suitable for drying operations

### Optional Accessories

- Lower shelf for 1200mm tables and sinks and for 1800 mm undercounter dishwasher sinks PNC 855145
- Set of 4 wheels (2 with brake) d. 100mm for tables and sinks (total height on wheels= 993 mm) PNC 855150
- 3-sided underframe for 1200mm tables PNC 855152
- Single plastic drain syphon 1,5 " for work tables with bowl PNC 855306
- Elbow operated mixer tap with spout 3/4", single hole PNC 855322
- Elbow operated mixer tap with short spout 3/4", single hole PNC 855323
- Foot operated mixer tap (hot and cold) with spout 3/4" PNC 855328

APPROVAL: \_\_\_\_\_

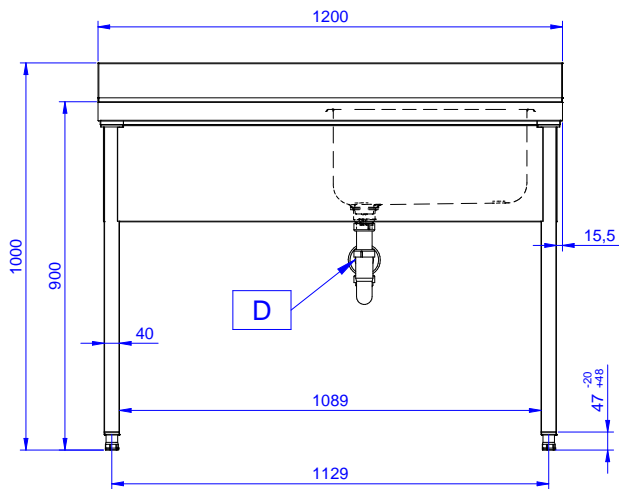


Experience the Excellence  
[www.electroluxprofessional.com](http://www.electroluxprofessional.com)

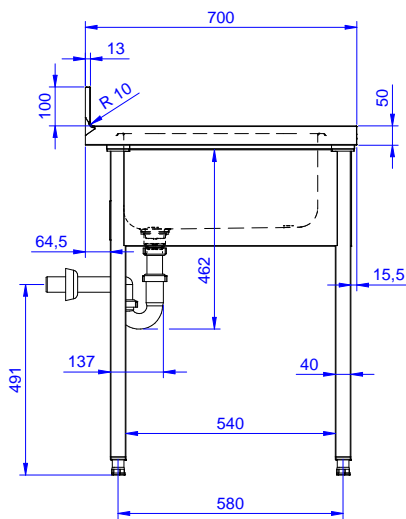
### Key Information:

<b>External dimensions, Width:</b>	
<b>132898 (SL12SN)</b>	1200 mm
<b>External dimensions, Depth:</b>	700 mm
<b>External dimensions, Height:</b>	900 mm
<b>Upstand Dimensions, Height:</b>	100 mm
<b>Upstand Dimensions, Depth:</b>	13 mm
<b>Upstand Dimensions, Radius:</b>	R=10
<b>Bowls number</b>	1
<b>Bowl dimensions</b>	500x500xH250
<b>Net weight:</b>	42 kg

Front



Side



D = Drain

Top

